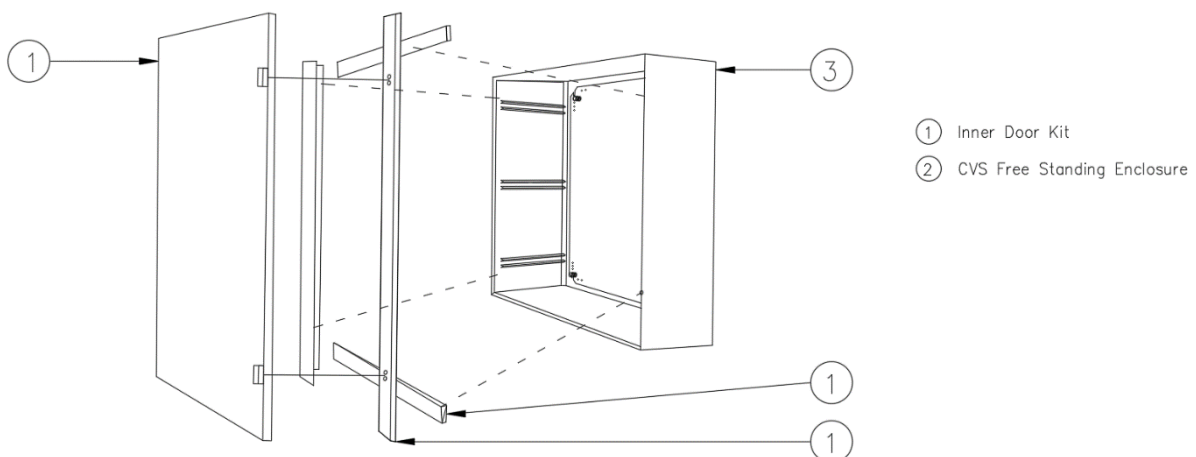


Inner Door Kits to suit Free Standing Enclosures

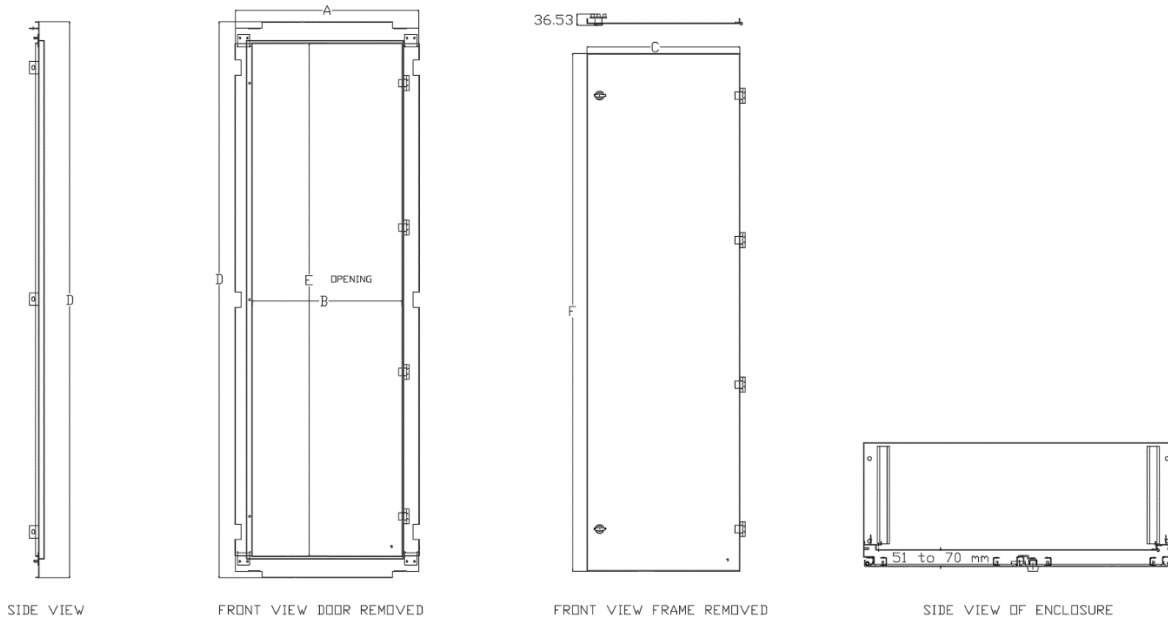
- Adaptable for Free Standing Enclosures
- Material: Powder Coated Mild Steel
- Inner Doors also available for double door enclosures
- Compact installation
- Does not come as a kit; needs to be purchased separately
- Depth of the inner door is adjustable via fitted side rails inside the enclosure

Part No.	Description
CVS EUR ID186	Inner door kit to suit 1800x600 Enclosure
CVS EUR ID188	Inner door kit to suit 1800x800 Enclosure
CVS EUR ID208	Inner door kit to suit 2000x800 Enclosure
CVS EUR ID2010	Inner door kit to suit 2000x1000 Enclosure
CVS EUR ID2012	Inner door kit to suit 2000x1200 Enclosure

Informational Drawing

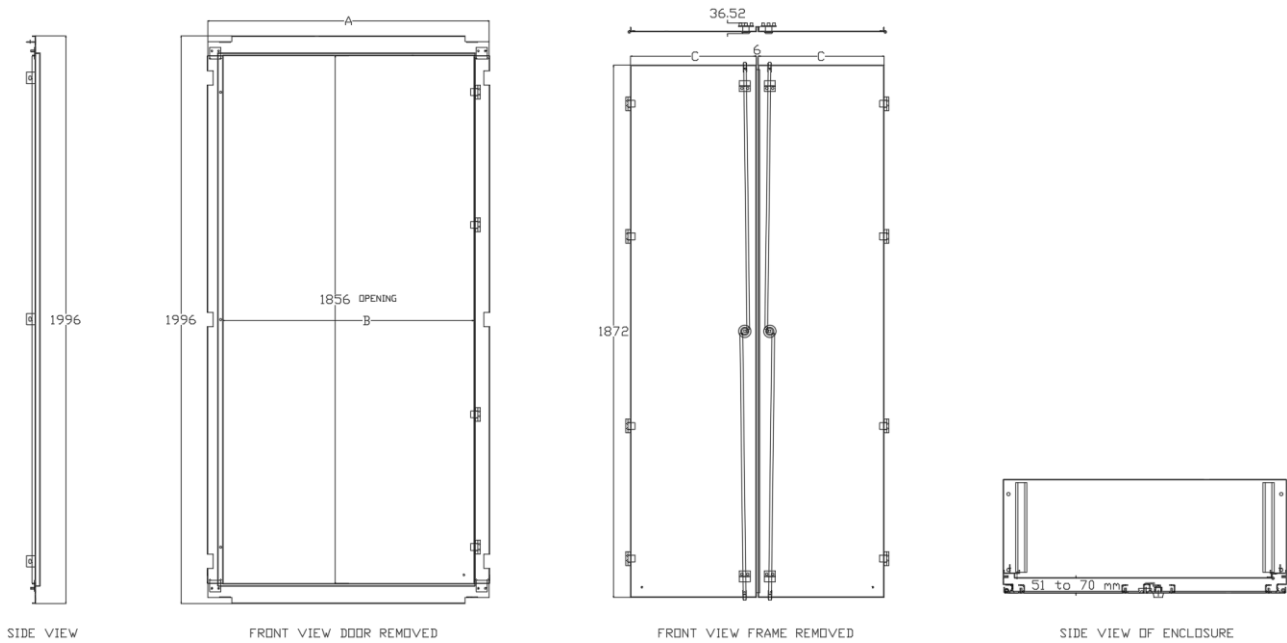


**Dimensions for CVS EUR ID186/188/208**



Part No.	A	B	C	D	E
CVS EUR ID186	592	484	494	1796	1656
CVS EUR ID188	792	684	694	1796	1656
CVS EUR ID208	792	684	694	1996	1856

**Dimensions for CVS EUR ID2010/2012**



Part No.	A	B	C
CVS EUR ID2010	992	884	444
CVS EUR ID2012	1192	1084	544